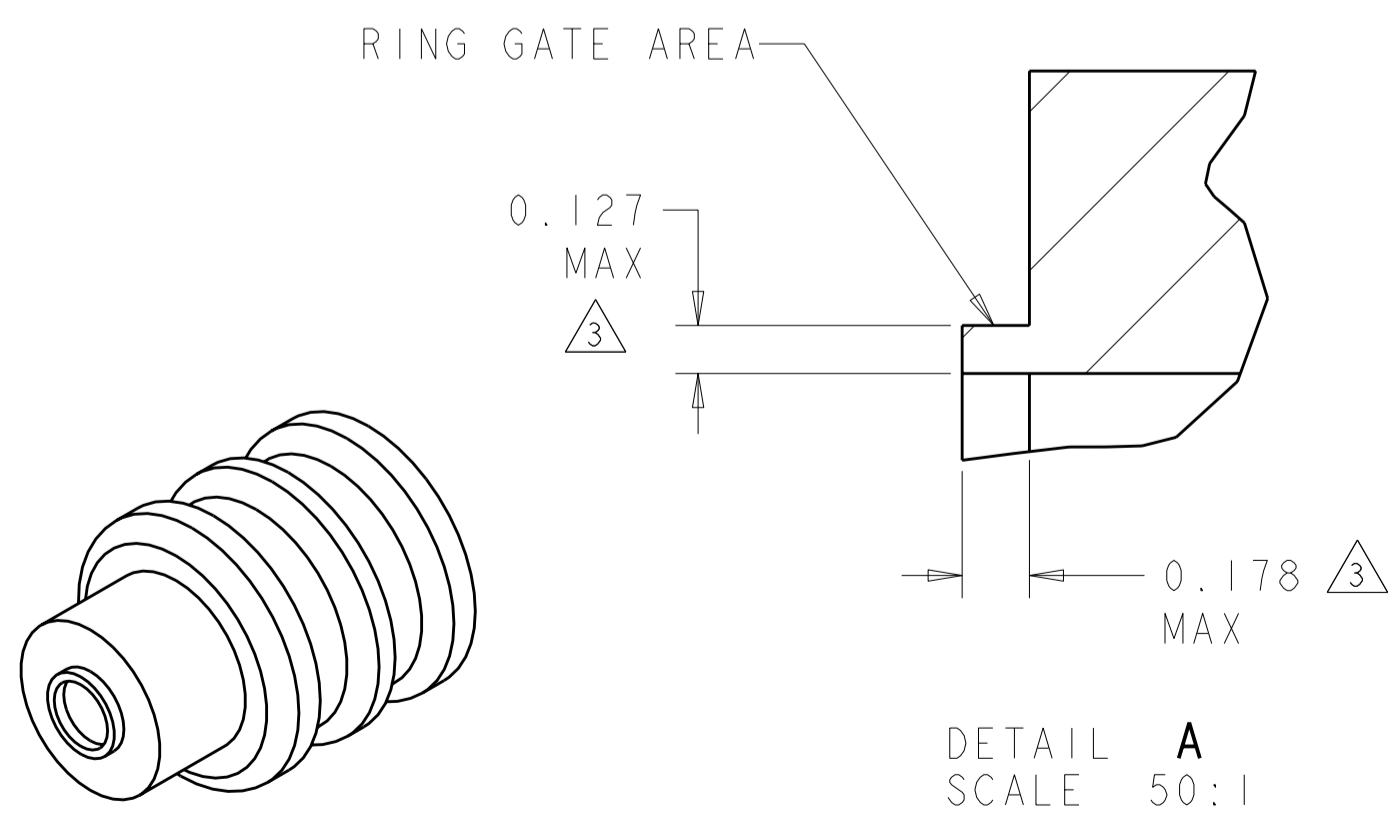
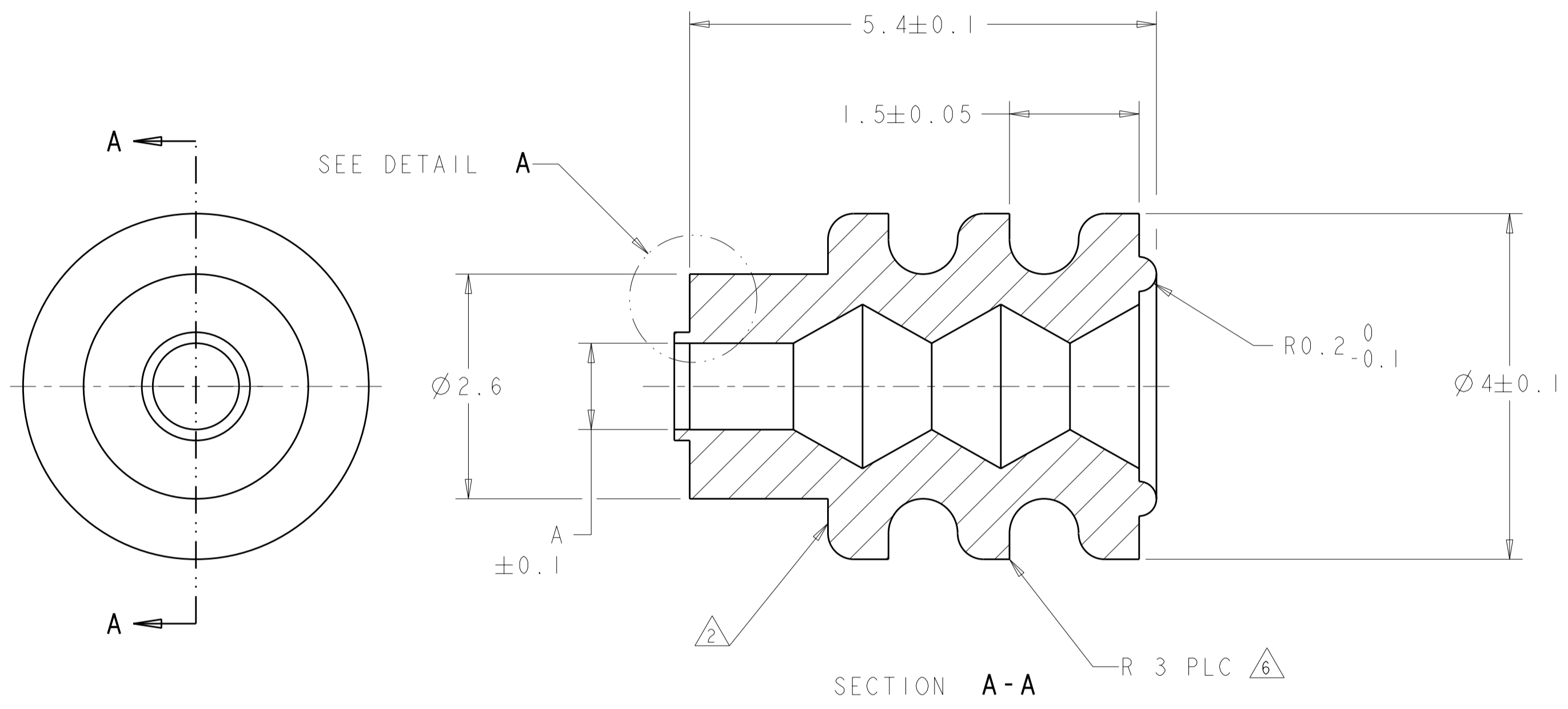


THIS DRAWING IS UNPUBLISHED. RELEASED FOR PUBLICATION 20  
 © COPYRIGHT 20 BY TYCO ELECTRONICS CORPORATION. ALL RIGHTS RESERVED.

LOC		DIST		REVISIONS			
P	LTR	DESCRIPTION	DATE	DWN	APVD		
	B	REVISED PER 063B-0330-02	18-JUN-02	KW	CJ		
	BI	ECO-07-013270	05JUN2007	KW	CJ		

1. FLASH ALLOWANCE TO BE 0.05 MAX HIGH x 0.03 MAX THICK.
2. FLASH NOT PERMITTED IN THIS AREA.
3. ALLOWABLE FLASH IN RING GATE AREA.
4. INSULATION DIAMETER MUST BE MET REGARDLESS OF WHICH WIRE SIZE IS USED.
5. THIS SEAL IS NOT COMPATIBLE WITH 26-30 AWG CONTACTS. 26 AWG WIRE MUST BE USED WITH 22-26 AWG CONTACTS.
6. OPTIONAL CONSTRUCTION.



3 DIMENSIONAL VIEW  
SCALE 10:1

DETAIL A  
SCALE 50:1

35.45 mm <sup>3</sup>	BLUE	1.02-2.11	18-26 AWG	1.0	794758-1
VOLUME	COLOR	INSULATION DIAMETER 4	WIRE RANGE 4	DIM A	PART NUMBER

<small>THIS DRAWING IS A CONTROLLED DOCUMENT FOR TYCO ELECTRONICS CORPORATION. IT IS SUBJECT TO CHANGE AND THE CONTROLLING ENGINEERING ORGANIZATION SHOULD BE CONTACTED FOR THE LATEST REVISION.</small>		DWN K. WHITAKER 15FEB2001	Tyco Electronics Harrisburg, PA 17105-3608	
<small>TOLERANCES UNLESS OTHERWISE SPECIFIED:</small> 0 PLC ±.2 1 PLC ±.2 2 PLC ±. 3 PLC ±. 4 PLC ±. ANGLES ±2°		CHK C. JONES 15FEB2001	NAME SINGLE WIRE SEAL, MINI UNIVERSAL MATE-N-LOK(TM)	
<small>DIMENSIONS:</small> mm		APVD C. JONES 15FEB2001	PRODUCT SPEC -	
		APPLICATION SPEC -	SIZE A2	
MATERIAL SILICON RUBBER		WEIGHT -	CAGE CODE 00779	DRAWING NO 794758
CUSTOMER DRAWING		SCALE 20:1	SHEET 1	REV BI

